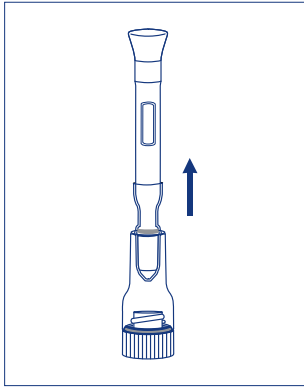
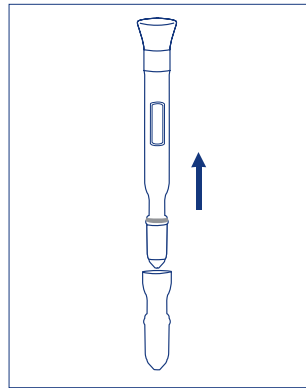


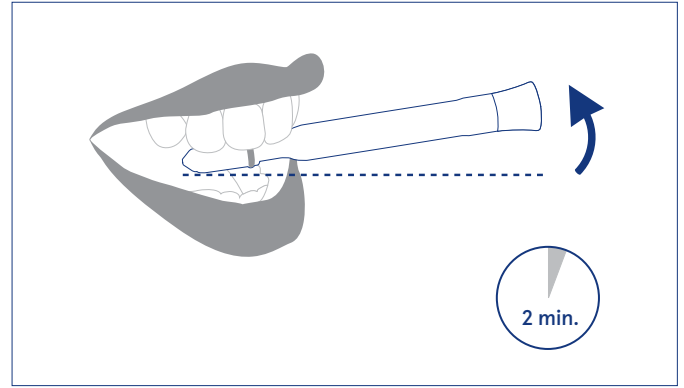
# Pulsar Ecotest COVID-19 Antigen Saliva Test Kit



**1** Remove the saliva collector from the tube filled with buffer solution.

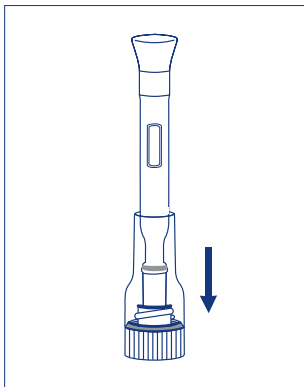


**2** Remove the protection cap.

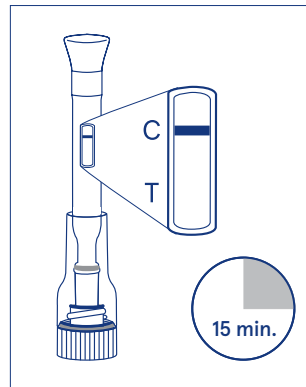


**3** Place the saliva collector's sponged end at the back of your mouth. Keep the saliva collector in your mouth for 2 minutes.

**Note:** Hold the outer side of the device pointing upwards (above an imaginary horizontal line).



**4** Place the saliva collector vertically in the tube with buffer solution. Push the saliva collector firmly through the foil and start the timer.

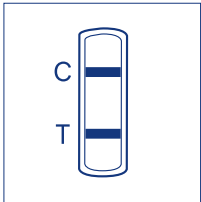


**5** Read the result at 15 minutes.

Please consult the instructions for use before performing the test.

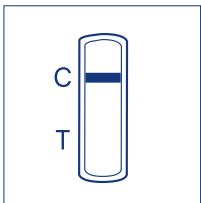
# Pulsar Ecotest COVID-19 Antigen Saliva Test Kit

## Interpretation of the results



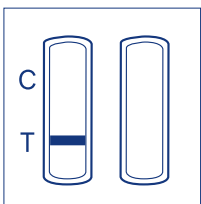
### Positive result

Two coloured bands appear on the membrane. One band appears in the control zone (C) and the other in the test zone (T). A positive result very probably means you have COVID-19. Carefully follow the government instructions. Your doctor will prescribe a PCR test for you to confirm the result, if necessary.



### Negative result

Only one coloured band appears, in the control zone (C). No clear coloured band appears in the test zone (T). It is unlikely that you have COVID-19. Even if the result is negative, you need to continue observing all protective and hygienic measures as the Corona virus cannot be accurately proven in all phases of the infection.



### Invalid result

Control band (C) does not appear. The results of any test that shows no control band after 15 minutes should be considered invalid. Repeat the test procedure with a new test. If the problem persists, then immediately stop using the test kit.

## Convenient and safe SARS-CoV-2 antigen testing from saliva samples

### Innovative design

- Only a few steps from sampling to result
- Closed system minimises contamination risk
- Hands-on time just seconds
- Enables fast testing of large amounts of people

### Easy and convenient

- Saliva as sample enables pleasant sampling
- Closed system prevents user errors
- Everything needed is included in the tests pouch

### Exact results

- Detects SARS-CoV-2 viral nucleoprotein antigens
- Relative Sensitivity 90.0% (69.9% ~ 97.2%)
- Relative Specificity: 97.0% (89.6% ~ 99.2%)
- Room temperature storage (2-30°C)

Can be used at any time, wherever you are thanks to the handy all-in-1.

## Precautions

- DO NOT eat, drink, smoke, brush teeth, or chew gum for 30 minutes before sampling.
- Caution should be taken when inserting sponge into the mouth to prevent choking.
- DO NOT ingest or bite.
- The device contains material of animal origin and should be handled as a potential biohazard.
- Inspect each foil pouch before opening. Do not use devices if pouch is damaged, open, has holes in the foil or where the pouch has not been completely sealed.
- Erroneous result may occur if test reagents or components are improperly stored.
- The negative result does not exclude infection. In doubtful cases (if you have persistent symptoms or your symptoms worsen), it is advisable to carry out the test again 1-2 days later.
- DO NOT use the kit when any component is missing.

## Contact info

Aidian Oy

aidian@aidian.eu / +358 10 309 3000

For orders: orders@aidian.eu

www.aidian.eu

Product	Product no.	Order no.
Pulsar Ecotest COVID-19 Antigen Saliva Test, 20 tests	COV-P35	154860

For professional *in vitro* diagnostic use only.